

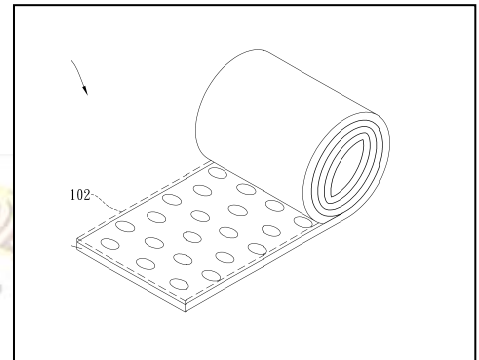


## 用於貼附身體之貼帶

發明人：楊台鴻 教授

單位：國立臺灣大學 醫學工程研究所

簡歷：2000/08 至今 台灣大學 特聘教授  
2008/08 至 2011/07 台大醫工所 教授兼任所長  
2007/08 至 2008/02 辛辛那提大學 訪問教授  
2000/08 至今 台大醫工所 教授



### 市場及需求:

各類運動貼布已相當普遍，達到肌肉及肌膜之機能之保護與支持效果。有鑒於其使用普遍性，但使用上仍需專業人員使用方能有效達到效果。據此，需一良好彈性、透氣性、通氣性、防水性等優點之貼帶，且可使病患透過醫生衛教後可自行在家使用，不需要如現行三天去醫院更換一次。

### 技術摘要(含成果):

本發明提供一種用於具有多層結構之貼附身體之貼帶，當該貼帶受一額定力量而延展，介於至少一該複數個第一凹陷與所對應之至少一該複數個第二凹陷之間的基材產生一縫隙。

### 優勢:

格低廉且具有良好彈性、透氣性、通氣性、防水性等優點之貼帶，使病患透過醫生衛教後可自行在家天天更換。

### 競爭產品:

市面上之肌內效貼布

### 專利現況:

中華民國專利申請號:101127139 號發明專利核准

### 聯絡方式(請不用填):

臺大產學合作總中心

Tel: 02-3366-9945, E-mail: ntuciac@ntu.edu.tw

本資料僅供國立臺灣大學專利/技術申請使用，嚴禁使用全部或部分內容於其他用途。若有疑問請與我們聯繫，我們將盡力協助您。



## TAPE FOR ATTACHING TO THE HUMAN BODY

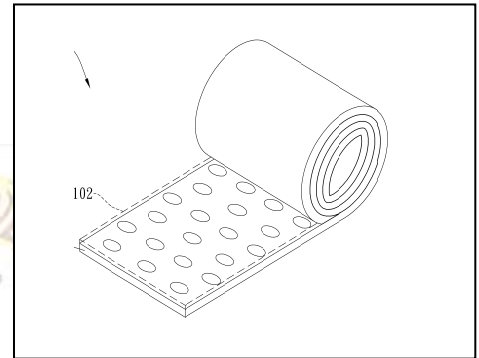
**PI :** Prof.Tai-Horng Young

Institute of Biomedical Engineering, National Taiwan U.

**Experience:**

2000/08 -- National Taiwan U. Distinguished Professor

2008/08- 2011/07 Institute of Biomedical Engineering,  
National Taiwan U. Director and Professor



**Market Needs:**

Many types of tape is common for attaching to the human body. Thus, the used tape usually have to be performed by professional medical personnel. It is a problem concerned a tape has good elasticity, breathability, permeability, waterproof, and patients can use without the assistance from medical personnel after teaching. Patients don't need to go to hospital frequently.

**Our Technology:**

A substrate made of nonwoven fabric and having a plurality of concave portions. A split is formed between at least one of the plurality of first concave portions and a corresponding at least one of the plurality of second concave portions when the tape is extended by a rated force acting thereupon.

**Strength:**

A cheap tape has good elasticity, breathability, permeability, waterproof, and patients can use without the assistance from medical personnel after teaching.

**Competing Products:**

Commercial products of Kinesio Tape

**Intellectual Properties:**

Taiwan patent is approval

**Contact (do not need to fill out):**

Center for Industry-Academia Cooperation, NTU

Tel: 02-3366-9945, E-mail: ntuciac@ntu.edu.tw

This information herein is intended for potential license of NTU technology only. Other usage of all or portion of this information in whatever form or means is strictly prohibited. Kindly contact us and we will help to achieve your goal the best we can.