



US010113970B2

(12) **United States Patent**
Hsu et al.

(10) **Patent No.:** **US 10,113,970 B2**
(45) **Date of Patent:** **Oct. 30, 2018**

(54) **DETECTION DEVICE**

(56) **References Cited**

(71) Applicant: **NATIONAL TAIWAN UNIVERSITY,**
Taipei (TW)

U.S. PATENT DOCUMENTS

(72) Inventors: **Cheng-Che Hsu,** Taipei (TW);
Peng-Kai Kao, Taipei (TW);
Min-Chun Chen, Taichung (TW);
Po-Wei Yeh, Taichung (TW); **Fei-Hung**
Huang, New Taipei (TW)

4,362,936 A	12/1982	Hofmann et al.	
5,379,103 A	1/1995	Zigler	
5,798,832 A	8/1998	Hnilica et al.	
6,069,695 A	5/2000	Rohr et al.	
6,359,687 B1	3/2002	Cheng et al.	
6,900,734 B2	5/2005	Duan	
6,943,879 B2	9/2005	Ukon	
7,123,361 B1	10/2006	Doughty	
7,273,995 B1 *	9/2007	Manz	H05H 1/48 219/121.43
7,417,730 B2	8/2008	Duan et al.	
7,460,225 B2	12/2008	Karanassios	
7,733,482 B2	6/2010	Ruda et al.	
7,875,825 B2	1/2011	Takamura et al.	
8,101,923 B2	1/2012	Orlando et al.	
8,210,031 B2	7/2012	Jabs et al.	
8,436,991 B2	5/2013	Senac	

(73) Assignee: **NATIONAL TAIWAN UNIVERSITY,**
Taipei (TW)

(*) Notice: Subject to any disclaimer, the term of this
patent is extended or adjusted under 35
U.S.C. 154(b) by 0 days.

(21) Appl. No.: **15/241,096**

(22) Filed: **Aug. 19, 2016**

FOREIGN PATENT DOCUMENTS

(65) **Prior Publication Data**
US 2017/0052122 A1 Feb. 23, 2017

CN	104297324 A	1/2015
CN	105190302 A	12/2015
WO	2015108820 A1	7/2015

Related U.S. Application Data

Primary Examiner — Md M Rahman

(60) Provisional application No. 62/207,403, filed on Aug.
20, 2015.

(74) *Attorney, Agent, or Firm* — CKC & Partners Co.,
Ltd.

(51) **Int. Cl.**
G01J 3/30 (2006.01)
G01N 21/73 (2006.01)

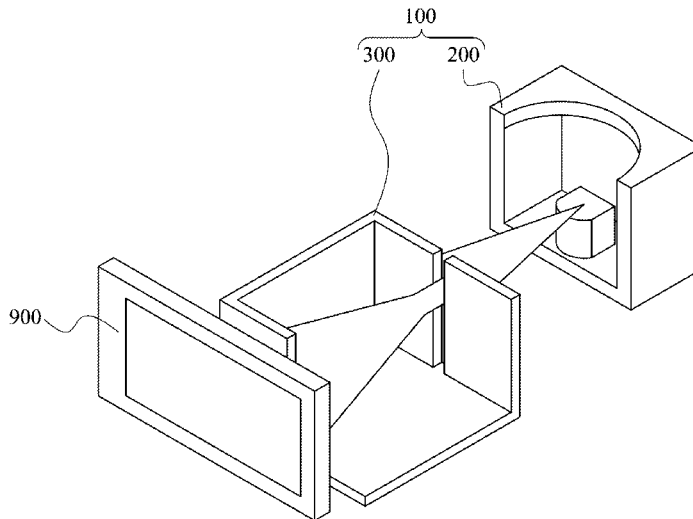
(57) **ABSTRACT**

(52) **U.S. Cl.**
CPC **G01N 21/73** (2013.01); **G01N 2201/0221**
(2013.01)

A detection device, which is used with a mobile electronic device having an image capturing unit, is provided. The detection device includes a plasma generation unit and a light decomposing unit. The plasma generation unit generates plasma from a sample. The light decomposing unit decomposes light emitted by the plasma for spectral analysis. The mobile electronic device receives and analyzes the light decomposed by the light decomposing unit to determine whether an element exist in the sample.

(58) **Field of Classification Search**
CPC G01N 21/73; G01N 21/68; G01J 3/443;
H01J 49/105; H05H 1/30
USPC 356/316
See application file for complete search history.

20 Claims, 5 Drawing Sheets



(56)

References Cited

U.S. PATENT DOCUMENTS

8,649,006	B2	2/2014	Ardelt et al.	
8,968,286	B2	3/2015	Staack et al.	
9,060,113	B2	6/2015	Rhoads et al.	
9,217,706	B2	12/2015	Mucci et al.	
9,316,540	B1	4/2016	Phua	
2002/0186811	A1*	12/2002	Weiss	G01N 23/223 378/6
2003/0012718	A1*	1/2003	Josephson	B01D 53/68 423/241
2003/0218745	A1*	11/2003	Benicewicz	G01N 21/718 356/318
2004/0099282	A1*	5/2004	Kambara	C23C 14/564 134/1.1
2006/0279732	A1	12/2006	Wang et al.	

* cited by examiner

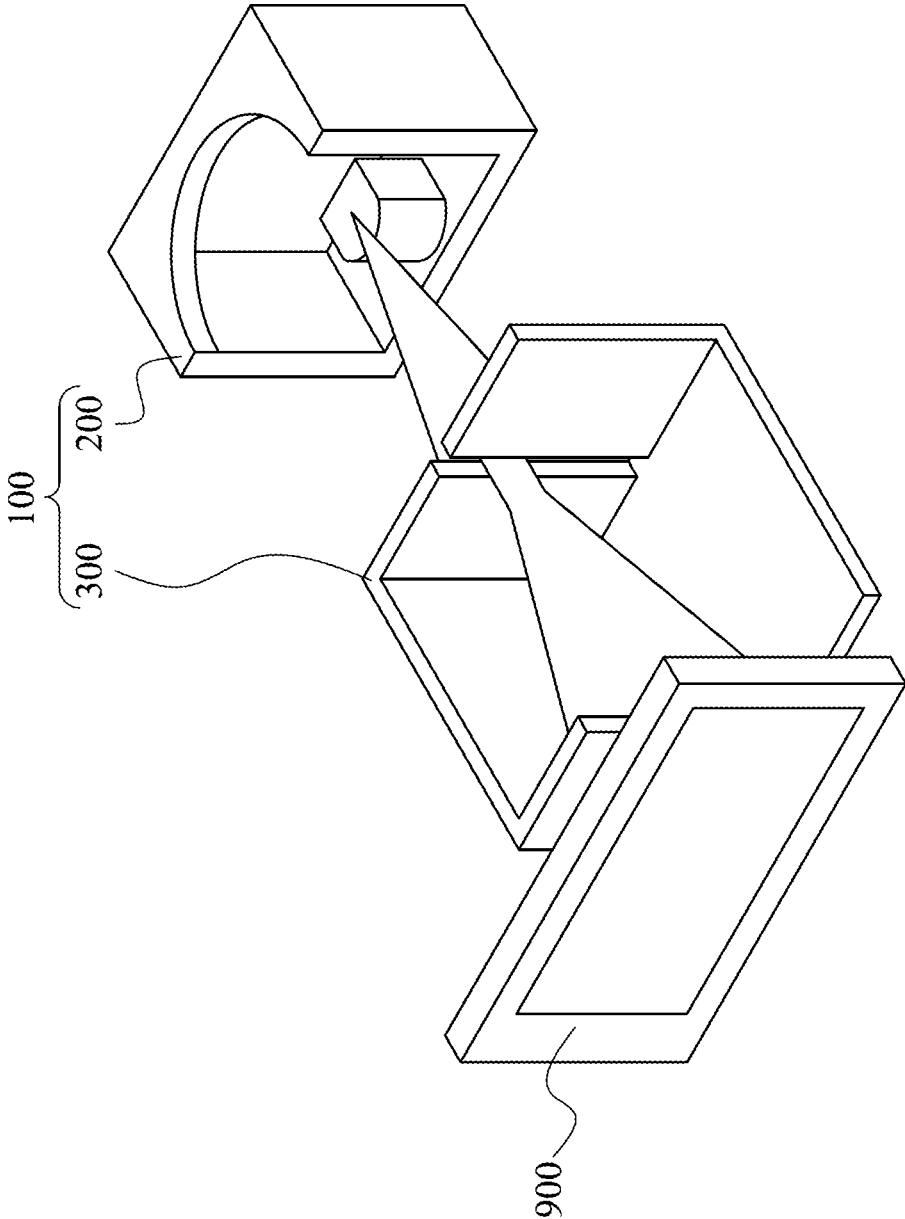


Fig. 1

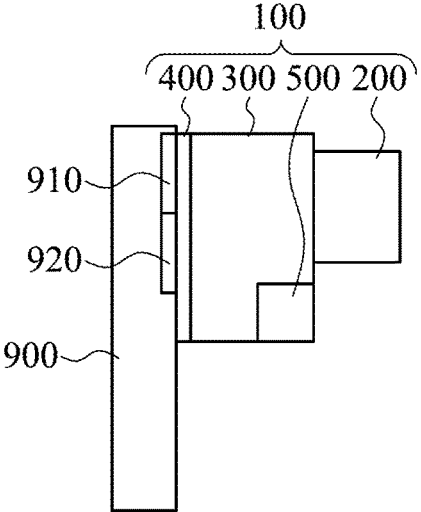


Fig. 2

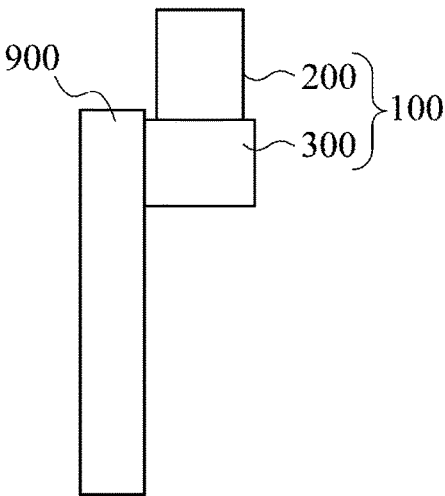


Fig. 3

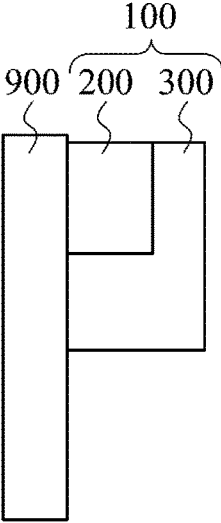


Fig. 4

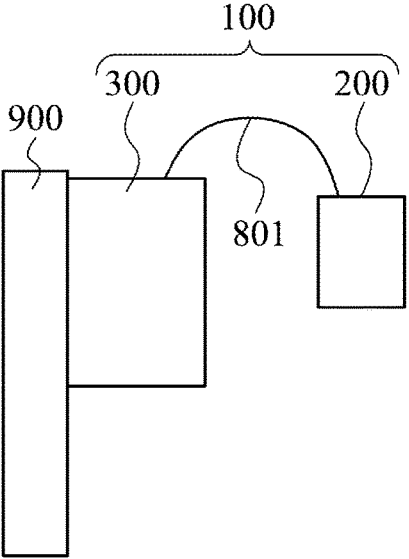


Fig. 5

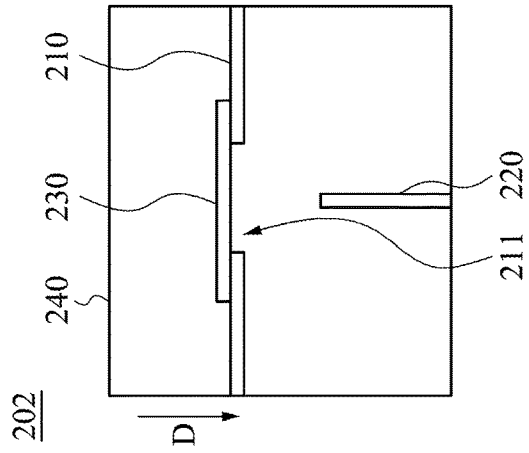


Fig. 6

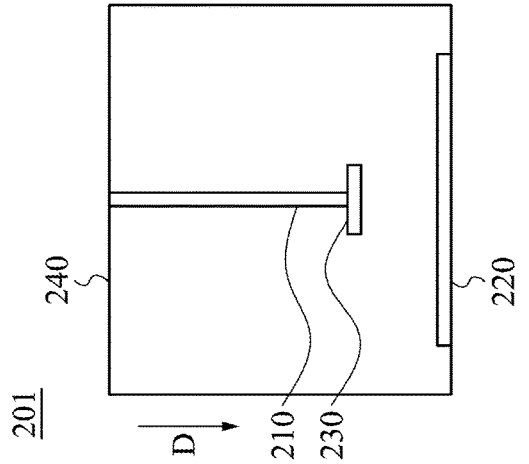


Fig. 7

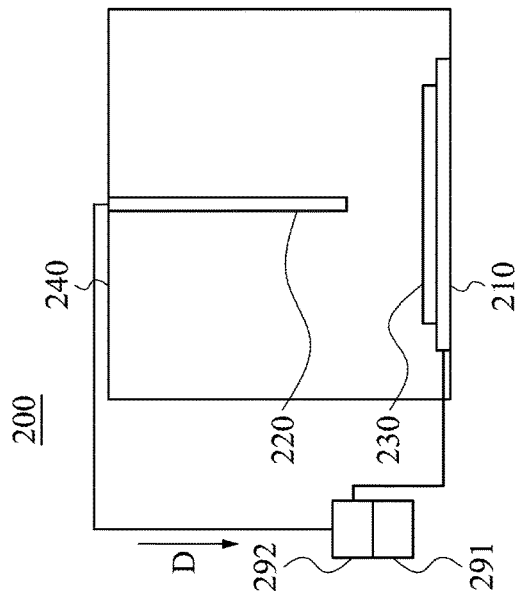


Fig. 8

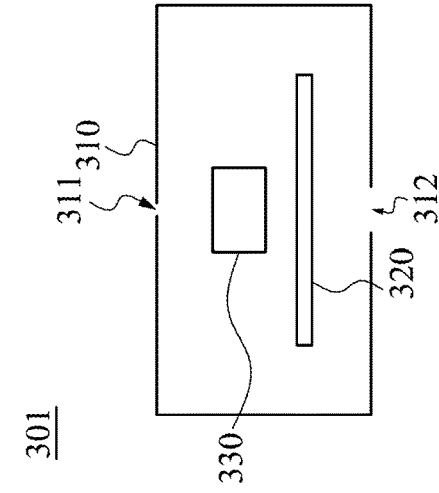


Fig. 11

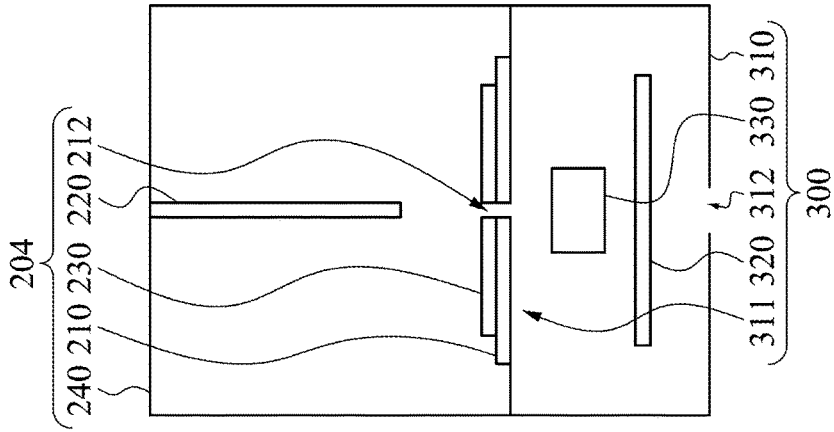


Fig. 10

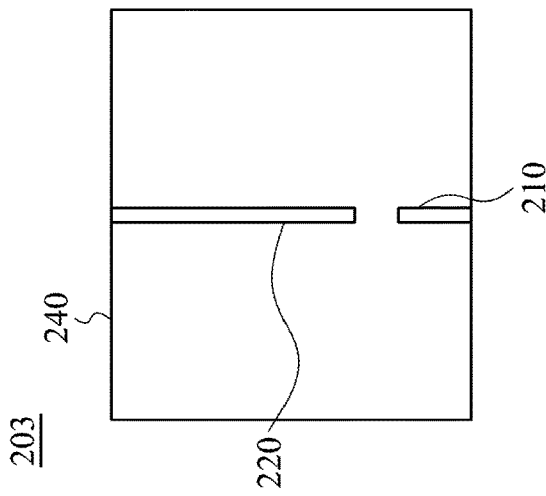


Fig. 9

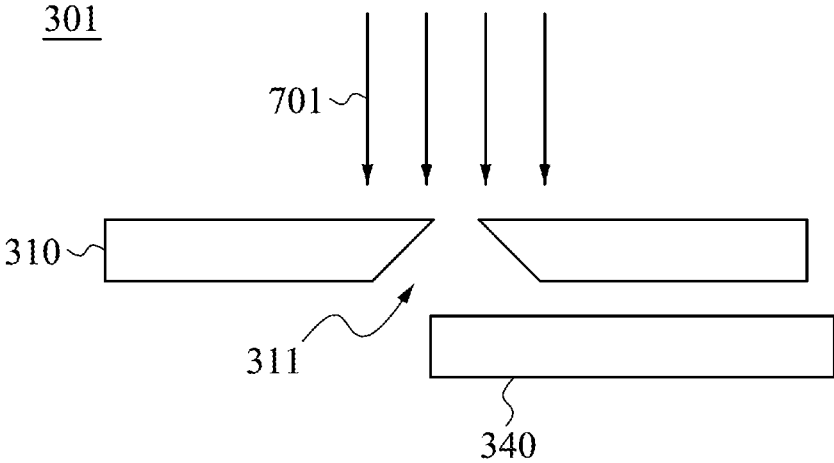


Fig. 12

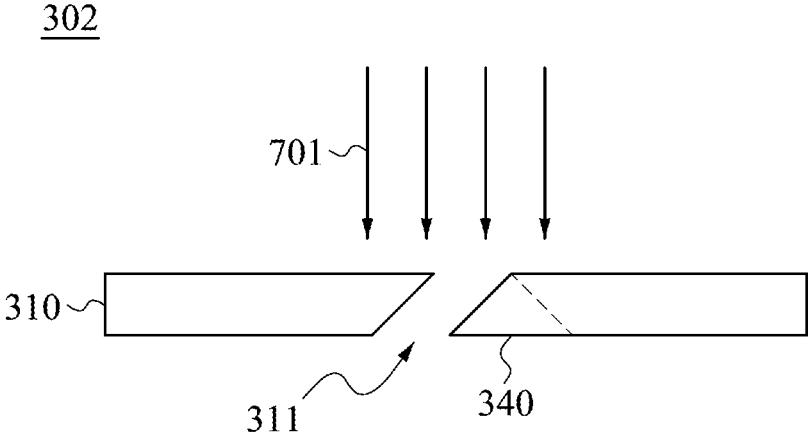


Fig. 13

DETECTION DEVICE

RELATED APPLICATIONS

This application claims priority to U.S. Provisional Application Ser. No. 62/207,403, filed Aug. 20, 2015, which is herein incorporated by reference.

BACKGROUND

Technical Field

The present disclosure relates to a detection device.

Description of Related Art

Air pollution and water contamination may cause many problems. For example, drinking water with high levels of heavy metal ions over a long period of time may result in health problems such as kidney damage, and many standard about levels of heavy metal ions in drinking water are therefore established. For example, the World Health Organization (WHO) establishes a maximum level of 6 ppb for mercury(II) in drinking water. When routine monitoring indicates that heavy metal levels are above the standard, a water supplier must take steps to reduce the amount of the heavy metal so that is below that level. Water suppliers must notify their customers as soon as practical. Additional actions, such as providing alternative drinking water supplies, may be required to prevent serious risks to public health.

SUMMARY

This disclosure provides a device cooperated with a mobile electronic device to detect a variety of kinds of elements with high sensitivity and to reduce the manufacturing cost of the device.

In one aspect of the disclosure, a device, which is used with a mobile electronic device having an image capturing unit, is provided. The device includes a plasma generation unit and a light decomposing unit. The plasma generation unit generates plasma from a sample. The light decomposing unit decomposes light emitted by the plasma for spectral analysis. The mobile electronic device receives and analyzes the light decomposed by the light decomposing unit to determine whether an element exists in the sample.

In one or more embodiments, the device further includes a fixing member fixing the device to the mobile electronic device.

In one or more embodiments, the plasma generation unit includes a first electrode and a second electrode, and the sample is located between the first electrode and the second electrode.

In one or more embodiments, the plasma generation unit further includes a plasma generation unit housing forming a space. The first electrode and the second electrode are disposed in the space, and the sample is an air in the space.

In one or more embodiments, the plasma generation unit further includes a liquid-absorbing member. The liquid-absorbing member is disposed on the first electrode. The sample is a liquid in the liquid-absorbing member.

In one or more embodiments, the second electrode is disposed above the first electrode.

In one or more embodiments, the first electrode is disposed above the second electrode.

In one or more embodiments, the liquid-absorbing member is made of a filter paper, a fabric, or a porous material.

In one or more embodiments, the liquid-absorbing member is attached to the first electrode, and the first electrode is a negative electrode.

In one or more embodiments, the first electrode has an opening, and the opening is a slit or a pinhole.

In one or more embodiments, the second electrode is a pin.

In one or more embodiments, the plasma generation unit includes a first electrode, a second electrode, and a liquid-absorbing member. The liquid-absorbing member is disposed on the first electrode, and the sample is a liquid in the liquid-absorbing member. The second electrode is not disposed directly above the liquid-absorbing member.

In one or more embodiments, the light decomposing unit includes a light dispersive member decomposing the light emitted by the plasma.

In one or more embodiments, the light dispersive member is a prism or a grating.

In one or more embodiments, the light decomposing unit includes a light decomposing unit housing, and the light decomposing unit housing has an opening receiving the light emitted by the plasma.

In one or more embodiments, the opening is a pinhole or a slit.

In one or more embodiments, the light decomposing unit further includes a light blocking structure blocking a zeroth order diffraction part of light passing the opening.

In one or more embodiments, the light blocking structure is integrally formed on the light decomposing unit housing.

In one or more embodiments, the device further includes a switch control unit controlling the time period between the turn-on time of the plasma generation unit and the turn-on time of the image capturing unit of the mobile electronic device.

In another aspect of the disclosure, a device is provided. The device includes a fixing member, a plasma generation unit, and a light decomposing unit. The fixing member fixes the device to a mobile electronic device. The plasma generation unit generates plasma from a sample. The light decomposing unit decomposes light emitted by the plasma for spectral analysis. The mobile electronic device receives and analyzes the light decomposed by the light decomposing unit to determine whether an element exists in the sample.

The device cooperated with a mobile electronic device detects whether an element exists in the sample by spectral analysis of the plasma generated from the sample, so the device can detect a variety of kinds of elements with high sensitivity. In addition, since the device is used with the mobile electronic device, the device does not need to include the image capturing unit and the data processing unit. Therefore, the manufacturing cost of the device can be reduced. Finally, the plasma generation unit and the light decomposing unit can be manufactured in small sizes, so the device is portable. Therefore, it is very convenient to detect whether an element exists in the sample by using the device.

It is to be understood that both the foregoing general description and the following detailed description are by examples, and are intended to provide further explanation of the disclosure as claimed.

BRIEF DESCRIPTION OF THE DRAWINGS

The disclosure can be more fully understood by reading the following detailed description of the embodiment, with reference made to the accompanying drawings as follows:

3

FIG. 1 is a schematic perspective view of a detection device and a mobile electronic device according to one embodiment of this disclosure;

FIG. 2 is a schematic side view of the detection device and the mobile electronic device according to one embodiment of this disclosure;

FIG. 3 is a schematic side view of the detection device and the mobile electronic device according to another embodiment of this disclosure;

FIG. 4 is a schematic side view of the detection device and the mobile electronic device according to another embodiment of this disclosure;

FIG. 5 is a schematic side view of the detection device and the mobile electronic device according to another embodiment of this disclosure;

FIG. 6 is a schematic cross-sectional view of a plasma generation unit according to one embodiment of this disclosure;

FIG. 7 is a schematic cross-sectional view of the plasma generation unit according to another embodiment of this disclosure;

FIG. 8 is a schematic cross-sectional view of the plasma generation unit according to another embodiment of this disclosure;

FIG. 9 is a schematic cross-sectional view of the plasma generation unit according to another embodiment of this disclosure;

FIG. 10 is a schematic cross-sectional view of the plasma generation unit and the light decomposing unit according to another embodiment of this disclosure;

FIG. 11 is a schematic cross-sectional view of the light decomposing unit according to another embodiment of this disclosure;

FIG. 12 is a partially enlarged view of the light decomposing unit according to another embodiment of this disclosure; and

FIG. 13 is a partially enlarged view of the light decomposing unit according to another embodiment of this disclosure.

DETAILED DESCRIPTION

In the following detailed description, for purposes of explanation, numerous specific details are set forth in order to provide a thorough understanding of the disclosed embodiments. It will be apparent, however, that one or more embodiments may be practiced without these specific details. In other instances, well-known structures and devices are schematically depicted in order to simplify the drawings.

FIG. 1 is a schematic perspective view of a detection device **100** according to one embodiment of this disclosure. A detection device **100** is provided. The detection device **100** is mainly cooperated with a mobile electronic device **900** to detect whether an element, for example, heavy metal ions, exists in the sample.

As shown in FIG. 1, the detection device **100** is used with a mobile electronic device **900**. The detection device **100** includes a plasma generation unit **200** and a light decomposing unit **300**. The plasma generation unit **200** generates plasma from a sample. The light decomposing unit **300** decomposes light emitted by the plasma for spectral analysis. The mobile electronic device **900** receives and analyzes the light decomposed by the light decomposing unit to determine whether an element exists in the sample.

FIG. 2 is a schematic side view of the detection device **100** and the mobile electronic device **900** according to one

4

embodiment of this disclosure. As shown in FIG. 2, the mobile electronic device **900** includes an image capturing unit **910**. The mobile electronic device **900** may be a smartphone or a tablet.

The image capturing unit **910** can include lens, a shutter, a body, and a sensor. The detailed structure of the configuration will not be described here. The sensor may be a CCD (charge-coupled device) or a CMOS (complementary metal-oxide-semiconductor). Embodiments of this disclosure are not limited thereto. The person having ordinary skill in the art can make proper modifications to the sensor depending on the actual application.

The detection device **100** is cooperated with the mobile electronic device **900** to detect whether an element exists in the sample by spectral analysis of the plasma generated from the sample, so the detection device **100** with the mobile electronic device **900** can detect a variety of kinds of elements with high sensitivity.

In addition, the detection device **100** is used with the mobile electronic device **900**, in most cases, the customer does not need to additionally buy the mobile electronic device **900** (e.g. the smartphone or the tablet), which already includes the image capturing unit **910** and the data processing unit **920**. The functions of the image capturing unit **910** and the data processing unit **920** can be performed by the mobile electronic device **900**. Therefore, the detection device **100** does not need to include the image capturing unit and the data processing unit. As a result, the manufacturing cost of the detection device **100** can be reduced. In most cases, the manufacturing costs of the image capturing unit and the data processing unit are much higher than the manufacturing costs of the plasma generation unit and the light decomposing unit. Since the detection device **100** does not include the image capturing unit and the data processing unit, the manufacturing cost of the detection device **100** can be effectively reduced.

Since the price of the detection device **100** becomes much lower due to the reduced manufacturing cost, and the mobile electronic device **900** is a common device in customer's daily life, the detection device **100** becomes very appealing to the customer.

Furthermore, the plasma generation unit **200** and the light decomposing unit **300** can be manufactured in small sizes, so the detection device **100** is portable. When the detection device **100** is used with the mobile electronic device **900**, the combined structure of the detection device **100** and the mobile electronic device **900** are still portable. Therefore, it is very convenient to detect whether an element exists in the sample by using the detection device **100**.

The detection device **100** further includes a fixing member **400**. The fixing member **400** fixes the detection device **100** to the mobile electronic device **900**. In some embodiment, the fixing member **400** may be a slot, and the mobile electronic device **900** is assembled in the fixing member **400**. In some embodiment, the fixing member **400** may be a clamp, and the mobile electronic device **900** is clamped by the fixing member **400**. In some embodiments, the fixing member **400** may be an adhesive layer, and the fixing member **400** can be adhered to the mobile electronic device **900**, such that the detection device **100** is fixed to the mobile electronic device **900**.

In some embodiments, the detection device **100** may further include at least one optical fiber, at least one lens, and/or at least one mirror. The optical fiber, lens, and/or mirror are disposed between the light decomposing unit **300** and the plasma generation unit **200**, such that the light path

5

of the light generated from the plasma generation unit **200** to the light decomposing unit **300** can be adjusted according to the design requirements.

In some embodiments, the plasma generation unit **200** is disposed on one side of the light decomposing unit **300** opposite to the mobile electronic device **900**. Embodiments of this disclosure are not limited thereto. FIG. **3** is a schematic side view of the detection device **100** and the mobile electronic device **900** according to another embodiment of this disclosure. As shown in FIG. **3**, the plasma generation unit **200** is disposed on the top surface of the light decomposing unit **300**. FIG. **4** is a schematic side view of the detection device **100** and the mobile electronic device **900** according to another embodiment of this disclosure. As shown in FIG. **4**, the plasma generation unit **200** is embedded in the light decomposing unit **300**. FIG. **5** is a schematic side view of the detection device **100** and the mobile electronic device **900** according to another embodiment of this disclosure. As shown in FIG. **5**, the plasma generation unit **200** and the light decomposing unit **300** are separate components. The detection device **100** further includes an optical fiber **801**, and the optical fiber **801** connects the plasma generation unit **200** and the light decomposing unit **300**.

FIG. **6** is a schematic cross-sectional view of the plasma generation unit **200** according to one embodiment of this disclosure. As shown in FIG. **6**, the plasma generation unit **200** includes a first electrode **210** and a second electrode **220**, and the sample is located between the first electrode **210** and the second electrode **220**. In some embodiments, the plasma generation unit **200** further includes a liquid-absorbing member **230**. The liquid-absorbing member **230** is disposed on the first electrode **210**. The sample is a liquid in the liquid-absorbing member **230**. The second electrode **220** is disposed above the first electrode **210** (the downward direction **D** is defined by the direction of gravity).

The liquid-absorbing member **230** may be made of a filter paper, a fabric, or a porous material. Embodiments of this disclosure are not limited thereto. The person having ordinary skill in the art can make proper modifications to the liquid-absorbing member **230** depending on the actual application.

The second electrode **220** may be a pin. Embodiments of this disclosure are not limited thereto. The person having ordinary skill in the art can make proper modifications to the second electrode **220** depending on the actual application.

The distance between the first electrode **210** and the second electrode **220** may be less than about 2 mm. In some embodiments, the distance between the first electrode **210** and the second electrode **220** may be in a range from 0.8 mm to 1.2 mm. Embodiments of this disclosure are not limited thereto. The person having ordinary skill in the art can make proper modifications to the distance between the first electrode **210** and the second electrode **220** depending on the actual application.

The plasma generation unit **200** further includes a plasma generation unit housing **240**. The first electrode **210** and the second electrode **220** are disposed in the plasma generation unit housing **240**. The plasma generation unit housing **240** has a first opening (not shown in Figs), and the light emitted by the plasma can leave the plasma generation unit housing **240** through the first opening. In addition, the plasma generation unit housing **240** does not form a hermetic space, so the air pressure in the plasma generation unit housing **240** is about 1 atm. Embodiments of this disclosure are not limited thereto. In some embodiment, the first opening may

6

be replaced by a transparent portion, and the first transparent portion may be made of, for example, glass.

The plasma generation unit **200** may further include a power supply **291** and a voltage boost module **292**. The power supply **291** is electrically connected to the voltage boost module **292**. The voltage boost module **292** is electrically connected to the first electrode **210** and the second electrode **220**. In some embodiment, the power supply **291** is a direct current power supply, and the output voltage of the power supply **291** is in a range from about 1 volt to about 100 volts. Alternatively, the output voltage of the power supply **291** may be, for example, 9 volts. The voltage boost module **292** is a high-voltage pulsed module, a high-voltage direct current module, or a high-voltage alternating current module, and the output voltage of the voltage boost supply **292** is in a range from about 500 volts to about 10000 volts. Alternatively, the output voltage of the voltage boost supply **292** may be, for example, 3000 volts.

In some embodiments, the power supply **291** may be a battery. In some other embodiments, the plasma generation unit **200** does not include the power supply **291**, and the voltage boost module **292** is electrically connected to the mobile electronic device **900**. The voltage boost module **292** may be electrically connected to the mobile electronic device **900** through the USB port or the earphone jack of the mobile electronic device **900**.

When the plasma generation unit **200** is turned on, there will be a voltage difference between the first electrode **210** and the second electrode **220**. The plasma is therefore generated from the air between the first electrode **210** and the second electrode **220**. Then, the temperature between the first electrode **210** and the second electrode **220** will rise due to the formation of the plasma, and some of the sample will evaporate into air. Then, some of evaporated sample will become plasma and the plasma will contain species from the sample.

The first electrode **210** is a cathode, and the second electrode **220** is an anode. In some embodiment, the first electrode **210** is a negative electrode, and the second electrode **220** is a positive electrode. Since the liquid-absorbing member **230** is attached to the first electrode **210**, and the first electrode **210** is a negative electrode, positive ions generated from the sample will be attracted to the first electrode **210**. The first electrode **210** is more heated and more species absorbed in the liquid-absorbing member **230** will evaporate. Therefore, the light emission intensity of the plasma from the species absorbed in the liquid-absorbing member **230** becomes stronger.

FIG. **7** is a schematic cross-sectional view of the plasma generation unit **201** according to another embodiment of this disclosure. As shown in FIG. **7**, the plasma generation unit **201** of this embodiment is similar to the plasma generation unit **200** of FIG. **6**, and the main difference between the two is that, in this embodiment, the first electrode **210** is disposed above the second electrode **220**.

FIG. **8** is a schematic cross-sectional view of the plasma generation unit **202** according to another embodiment of this disclosure. As shown in FIG. **8**, the plasma generation unit **202** of this embodiment is similar to the plasma generation unit **201** of FIG. **7**, and the main difference between the two is that, in this embodiment, the liquid-absorbing member **230** is disposed on one side of the first electrode **210** opposite to the second electrode **220**, and the first electrode **210** has a second opening **211** to expose the liquid-absorbing member **230** to the second electrode **220**. The second electrode **220** may be a pin.

Additionally, the second electrode **220** is not disposed directly above the liquid-absorbing member **230**. When plasma is generated from the liquid-absorbing member **230**, the temperature of the liquid-absorbing member **230** will rise, and evaporated liquid induces a convective flow of the fluid between the first electrode **210** and the second electrode **220**. This may affect the stability of the light emitted by plasma. Because the second electrode **220** is not disposed directly above the liquid-absorbing member **230**, the convective flow induced by the evaporated liquid has smaller influence on the fluid between the first electrode **210** and the second electrode **220**, and the evaporated liquid will have smaller influence on the stability of the light emitted by plasma.

FIG. 9 is a schematic cross-sectional view of the plasma generation unit **203** according to another embodiment of this disclosure. As shown in FIG. 9, the plasma generation unit **203** of this embodiment is similar to the plasma generation unit **200** of FIG. 6, and the main differences between the two are described below.

The plasma generation unit **203** does not include the liquid-absorbing member **230**. The plasma generation unit housing **240** forms a space. The first electrode **210** and the second electrode **220** are disposed in the space, and the sample is the air in the space.

In some embodiment, the space is not a hermetic space, i.e., an open space connected to the external space. Embodiments of this disclosure are not limited thereto. In some other embodiments, the space is a hermetic space.

In some embodiments, the distance between the first electrode **210** and second electrode **220** is in a range from about 0.1 mm to about 1 mm. Alternatively, the distance between the first electrode **210** and second electrode **220** is about 0.5 mm. The end surface of the first electrode **210** is in a range from about 0.1 cm² to about 5 cm², and the end surface of the second electrode **220** is in a range from about 0.1 cm² to about 5 cm². Alternatively, the end surface of the first electrode **210** is about 0.32 cm², and the end surface of the second electrode **220** is about 0.32 cm².

FIG. 10 is a schematic cross-sectional view of the plasma generation unit **204** and the light decomposing unit **300** according to another embodiment of this disclosure. As shown in FIG. 10, the first electrode **210** has a third opening **212**, and the third opening **212** may be a slit or a pinhole. The light decomposing unit **300** includes a light decomposing unit housing **310** and a light dispersive member **320**. The light decomposing unit housing **310** has a fourth opening **311** and a fifth opening **312**. The fourth opening **311** receives the light emitted by the plasma. The light dispersive member **320** decomposes the light emitted by the plasma. The decomposed light can leave the light decomposing unit housing **310** through the fifth opening **312**. Embodiments of this disclosure are not limited thereto. In some embodiments, the fourth opening **311** may be replaced by a transparent portion, and the fifth opening **312** may be replaced by a transparent portion. The transparent portions may be made of, for example, glass.

The light generated by the plasma passes through the third opening **212**, and the light passing the third opening **212** becomes the light source of the light decomposing unit **300**. Since the plasma is generated adjacent to the first electrode **210**, so the light emitted by the plasma directly pass through the third opening **212** of the first electrode **210**. Therefore, issues related to alignment can be avoided, such that the detection sensitivity can be enhanced. In addition, since the third opening **212** of the first electrode **210** controls the optical path as well, the overall configuration of the detec-

tion device **100** will become simpler, such that the size of the detection device **100** can be smaller.

The light decomposing unit **300** may further include a lens set **330**. The lens set includes at least one lens, and the lens may be a convex lens, a concave lens, a plane convex lens, or a plane concave lens. The lens set **330** can adjust the light path of the light emitted by the plasma, or the lens set **330** can focus the light emitted by the plasma. Therefore, the space needed for the light path of the light emitted by the plasma can be reduced, and the size of the light decomposing unit **300** can be further reduced.

In some embodiments, the lens set **330** is disposed between the fourth opening **311** and the light dispersive member **320**. In some embodiments, the lens set **330** is disposed between the light dispersive member **320** and the fifth opening **312**. In some embodiments, the lens set **330** is disposed between the fourth opening **311** and the light dispersive member **320** and between the light dispersive member **320** and the fifth opening **312**.

In some embodiments, the dimension (for example, the width or the diameter) of the third opening **212** may be in a range from about 0.01 mm to about 2 mm. When the third opening **212** is a pinhole, the diameter of the third opening **212** may be in a range from about 0.01 mm to about 2 mm. When the third opening **212** is a slit, the width of the third opening **212** may be in a range from about 0.01 mm to about 2 mm. The shape of the third opening **212** may be a circle, a rectangle, an ellipse, or a triangle. Embodiments of this disclosure are not limited thereto. The person having ordinary skill in the art can make proper modifications to the third opening **212** depending on the actual application.

The light dispersive member **320** may be a prism or a grating. Embodiments of this disclosure are not limited thereto. The person having ordinary skill in the art can make proper modifications to the light dispersive member **320** on the actual application.

After the light is decomposed by the light dispersive member **320**, different components of the light with different wavelengths will go in different directions. Then, different components of the light with different wavelengths image in different positions of the sensor of the image capturing unit **910**. Therefore, by measuring the brightnesses of different positions of the image formed by the image capturing unit **910**, the spectrum of the light emitted by the plasma of the sample can be known.

FIG. 11 is a schematic cross-sectional view of the light decomposing unit **301** according to another embodiment of this disclosure. As shown in FIG. 11, the light decomposing unit **301** of this embodiment is similar to the light decomposing unit **300** of FIG. 10, and the main differences between the two are described below.

The fourth opening **311** is a pinhole or a slit, and the first electrode **210** (see FIG. 10) does not have third opening **212** (see FIG. 10) in this embodiment. The light generated by the plasma will pass the fourth opening **311**, and the light passing through the fourth opening **311** will become the light source of the light decomposing unit **300**.

In some embodiment, the dimension (for example, the width or the diameter) of the fourth opening **311** may be in a range from about 0.01 mm to about 2 mm. When the fourth opening **311** is a pinhole, the diameter of the fourth opening **311** may be in a range from about 0.01 mm to about 2 mm. When the fourth opening **311** is a slit, the width of the fourth opening **311** may be in a range from about 0.01 mm to about 2 mm. The shape of the fourth opening **311** may be a circle, a rectangle, an ellipse, or a triangle. Embodiments of this disclosure are not limited thereto. The person having ordi-

nary skill in the art can make proper modifications to the fourth opening **311** depending on the actual application.

FIG. **12** is a partially enlarged view of the light decomposing unit **301** according to another embodiment of this disclosure. As shown in FIG. **12**, the light decomposing unit **301** further includes a light blocking structure **340**. The light blocking structure **340** blocks a zeroth order diffraction part of light **701** passing the fourth opening **311**.

Since the light passes the fourth opening **311**, and the image capturing unit **910** of the mobile electronic device **900** receives the light decomposed by the light decomposing unit **301**, there will be a zeroth order diffraction part of the light images on the image capturing unit **910**. The brightness of the zeroth order diffraction part of the light is much greater than the brightness of the other part of the light. If the image capturing unit **910** changes the exposure time and the aperture according to the maximum brightness of the incident light, the other part of the light, which includes necessary spectrum information, will become unclear in the detected image. If the light blocking structure **340** blocks the zeroth order diffraction part of light **701** passing the fourth opening **311**, the zeroth order diffraction part of light **701** will not affect the exposure time and the aperture of the image capturing unit **910**, and the other part of the light will not become unclear in the detected image.

FIG. **13** is a partially enlarged view of the light decomposing unit **300** according to another embodiment of this disclosure. As shown in FIG. **13**, the light decomposing unit **302** of this embodiment is similar to the light decomposing unit **301** of FIG. **12**, and the difference between the two is that, in this embodiment, the light blocking structure **340** is integrally formed on the light decomposing unit housing **310**.

In some embodiments, the light blocking structure **340** may be integrally formed on the first electrode **210** to form a structure similar to the structure of FIG. **13**.

Reference is made back to FIG. **2**. The detection device **100** further includes a switch control unit **500**. The switch control unit **500** controls the time period between the turn-on time of the plasma generation unit **200** and the turn-on time of the image capturing unit **910** of the mobile electronic device **900**. In some embodiments, the time period is zero second. In other words, the switch control unit **500** turns on the plasma generation unit **200** and the image capturing unit **910** of the mobile electronic device **900** simultaneously. Then, after the plasma generation unit **200** is turned on, the plasma is generated from the sample, and the light emitted by the plasma is then decomposed by the light decomposing unit **300**. Since the image capturing unit **910** is turned on at the same time, the decomposed light images on the sensor of the image capturing unit **910**.

Embodiments of this disclosure are not limited thereto. The time period may be in a range from about 0.001 second to 1 second. In some embodiments, the time period is 0.01 second. In other words, the plasma generation unit **200** is turned on first, and then the light decomposing unit **300** is turned on.

The switch control unit **500** may include a switch to turn on the plasma generation unit **200**. When the user turns on the image capturing unit **910** of the mobile electronic device **900** by the user interface of the mobile electronic device **900**, the mobile electronic device **900** transmits a signal to the switch, and the switch of the switch control unit **500** turns on the plasma generation unit **200**. Therefore, the switch control unit **500** turns on the plasma generation unit **200** and the image capturing unit **910** of the mobile electronic device **900** simultaneously.

The switch may be a light-sensitive switch, and the switch may be triggered by the light source of the mobile electronic device **900**. In some embodiments, the switch may be triggered by the flash lamp of the mobile electronic device **900**. Embodiments of this disclosure are not limited thereto. In some other embodiments, the switch may be disposed in front of the display screen, and the switch is triggered by the light emitted by the display screen.

The switch may be a transistor, an electronic chip, an on/off switch, and the switch control unit **500** may further include a signal transmitting module. The signal transmitting module may be a wire, and the mobile electronic device **900** can transmit a current signal through the headphone jack of the mobile electronic device **900** and the wire to the switch to turn on the plasma generation unit **200**. Alternatively, the signal transmitting module may be a bluetooth module. The mobile electronic device **900** can transmit an electromagnetic signal to the bluetooth module, and then the bluetooth module transmits a signal to the switch to turn on the plasma generation unit **200**.

In some embodiments, in order to tailor the properties, such as the conductivity, the pH value, or the chemical composition, the detection device **100** may further include a third electrode (not shown in Figs.) and a fourth electrode (not shown in Figs.). The third electrode and the fourth electrode form a set of electrodes. The detection device **100** cooperated with the mobile electronic device **900** detects whether an element exists in the sample by spectral analysis of the plasma generated from the sample, so the detection device **100** can detect a variety of kinds of elements with high sensitivity. In addition, since the detection device **100** is used with the mobile electronic device **900**, the detection device **100** does not need to include the image capturing unit **910** and the data processing unit **920**. Therefore, the manufacturing cost of the detection device **100** can be reduced. Finally, the plasma generation unit **200** and the light decomposing unit **300** can be manufactured in small sizes, so the detection device **100** is portable. Therefore, it is very convenient to detect whether an element exists in the sample by using the detection device **100**.

All the features disclosed in this specification (including any accompanying claims, abstract, and drawings) may be replaced by alternative features serving the same, equivalent or similar purpose, unless expressly stated otherwise. Thus, unless expressly stated otherwise, each feature disclosed is one example only of a generic series of equivalent or similar features.

Any element in a claim that does not explicitly state “means for” performing a specified function, or “step for” performing a specific function, is not to be interpreted as a “means” or “step” clause as specified in 35 U.S.C. § 112, 6th paragraph. In particular, the use of “step of” in the claims herein is not intended to invoke the provisions of 35 U.S.C. § 112, 6th paragraph.

What is claimed is:

1. A spectral analysis device which cooperates with an external mobile electronic device having an image capturing sensor and a data processor, the spectral analysis device comprising:

- a plasma generator configured to generate plasma from a sample; and
- a light decomposer configured to decompose light emitted by the plasma for spectral analysis, wherein the light decomposed by the light decomposer is received directly and analyzed by the image capturing sensor

11

and the data processor of the external mobile electronic device to determine whether an element exists in the sample.

2. The spectral analysis device of claim 1, further comprising:

a fixing member configured to fix the spectral analysis device to the external mobile electronic device.

3. The spectral analysis device of claim 1, wherein the plasma generator comprises a first electrode and a second electrode, and the sample is located between the first electrode and the second electrode.

4. The spectral analysis device of claim 3, wherein the plasma generator further comprises:

a plasma generator housing forming a space, wherein the first electrode and the second electrode are disposed in the space, and the sample is an air in the space.

5. The spectral analysis device of claim 3, wherein the plasma generator further comprise a liquid-absorbing member, the liquid-absorbing member is disposed on the first electrode, and the sample is a liquid in the liquid-absorbing member.

6. The spectral analysis device of claim 5, wherein the second electrode is disposed above the first electrode.

7. The spectral analysis device of claim 5, wherein the first electrode is disposed above the second electrode.

8. The spectral analysis device of claim 5, wherein the liquid-absorbing member is made of a filter paper, a fabric, or a porous material.

9. The spectral analysis device of claim 5, wherein the liquid-absorbing member is attached to the first electrode, and the first electrode is a negative electrode.

10. The spectral analysis device of claim 3, wherein the first electrode has an opening, and the opening is a slit or a pinhole.

11. The spectral analysis device of claim 3, wherein the second electrode is a pin.

12. The spectral analysis device of claim 1, wherein the plasma generator comprises a first electrode, a second elec-

12

trode, and a liquid-absorbing member, the liquid-absorbing member is disposed on the first electrode, the sample is a liquid in the liquid-absorbing member, and the second electrode is not disposed directly above the liquid-absorbing member.

13. The spectral analysis device of claim 1, wherein the light decomposer comprises a light dispersive member configured to decompose the light emitted by the plasma.

14. The spectral analysis device of claim 13, wherein the light dispersive member is a prism or a grating.

15. The spectral analysis device of claim 1, wherein the light decomposer comprises a light decomposer housing, and the light decomposer housing has an opening configured to receive the light emitted by the plasma.

16. The spectral analysis device of claim 15, wherein the opening is a pinhole or a slit.

17. The spectral analysis device of claim 15, wherein the light decomposer further comprises a light blocking structure configured to block a zeroth order diffraction part of light passing the opening.

18. The spectral analysis device of claim 17, wherein the light blocking structure is integrally formed on the light decomposer housing.

19. The spectral analysis device of claim 1, further comprising:

a switch control unit configured to control a time period between a turn-on time of the plasma generator and a turn-on time of the image capturing sensor of the external mobile electronic device,

wherein the switch control unit comprises a switch configured to turn on the plasma generator, and the switch of the switch control unit turns on the plasma generator in response to an operation of the external mobile electronic device.

20. The spectral analysis device of claim 1, wherein the external mobile electronic device is sold or purchased separately from the spectral analysis device.

* * * * *