



US008532841B2

944

(12) **United States Patent**
Fu et al.

(10) **Patent No.:** US 8,532,841 B2
(45) **Date of Patent:** Sep. 10, 2013

- (54) **REHABILITATION DEVICE**
- (71) Applicant: **National Taiwan University, Taipei (TW)**
- (72) Inventors: **Li-Chen Fu, Taipei (TW); Hung-Yu Lin, Taipei (TW); Christopher Young, Taipei (TW); Jia-Yuan Yu, Taipei (TW)**
- (73) Assignee: **National Taiwan University, Taipei (TW)**
- (*) Notice: Subject to any disclaimer, the term of this patent is extended or adjusted under 35 U.S.C. 154(b) by 0 days.

- (52) **U.S. Cl.**
USPC 701/1; 135/67; 601/34
- (58) **Field of Classification Search**
USPC 701/1; 135/67, 65, 66, 77, 84, 85; 601/34-36, 5, 26; 482/51, 66, 8; 280/47,34; 367/118; 73/379.08; 177/244; 702/41
See application file for complete search history.

- (21) Appl. No.: **13/711,556**
- (22) Filed: **Dec. 11, 2012**
- (65) **Prior Publication Data**
US 2013/0103226 A1 Apr. 25, 2013

- (56) **References Cited**
U.S. PATENT DOCUMENTS
7,204,328 B2* 4/2007 LoPresti 180/6.5
7,398,791 B2* 7/2008 Tucker 135/66
2003/0076067 A1* 4/2003 Ashmore et al. 318/662
* cited by examiner

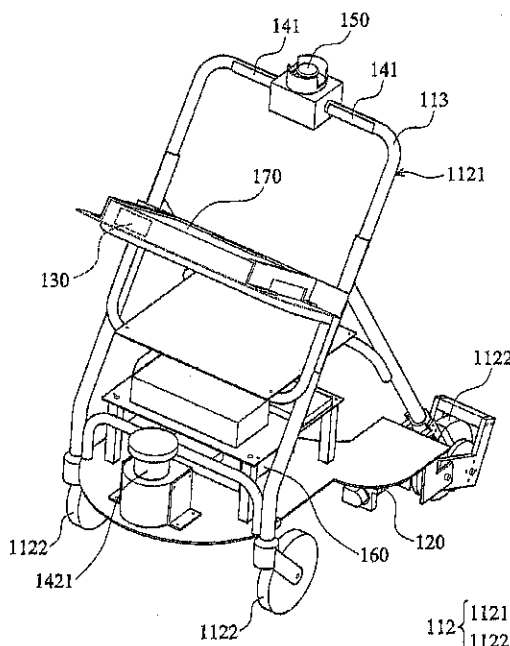
- Related U.S. Application Data**
- (63) Continuation-in-part of application No. 12/703,923, filed on Feb. 11, 2010, now abandoned.
- (30) **Foreign Application Priority Data**
Nov. 17, 2009 (TW) 98138965 A

Primary Examiner --- Marthe Marc-Coleman

(57) **ABSTRACT**
A rehabilitation device includes a moving body, a motor, a control system and a sensor module. The moving body has a housing and a moving mechanism. The motor, disposed in the housing, connects to the moving mechanism and drives the moving mechanism. The control system is disposed in the housing and coupled to the motor. The sensor module is disposed on the moving body and coupled to the control module. The control system controls the operation of the motor to move the moving body according to information detected by the sensor module.

(51) **Int. Cl.** A61H 3/04 (2006.01) **21 Claims, 6 Drawing Sheets**

100



研發處 2017/10/16
9070101001-944 年限: 2
專利權 補
使用(保管)人: 賴廷昭 臺灣大學